



**MOISTURE REMOVED  
IS PROFIT GAINED.**

# **XD** Series

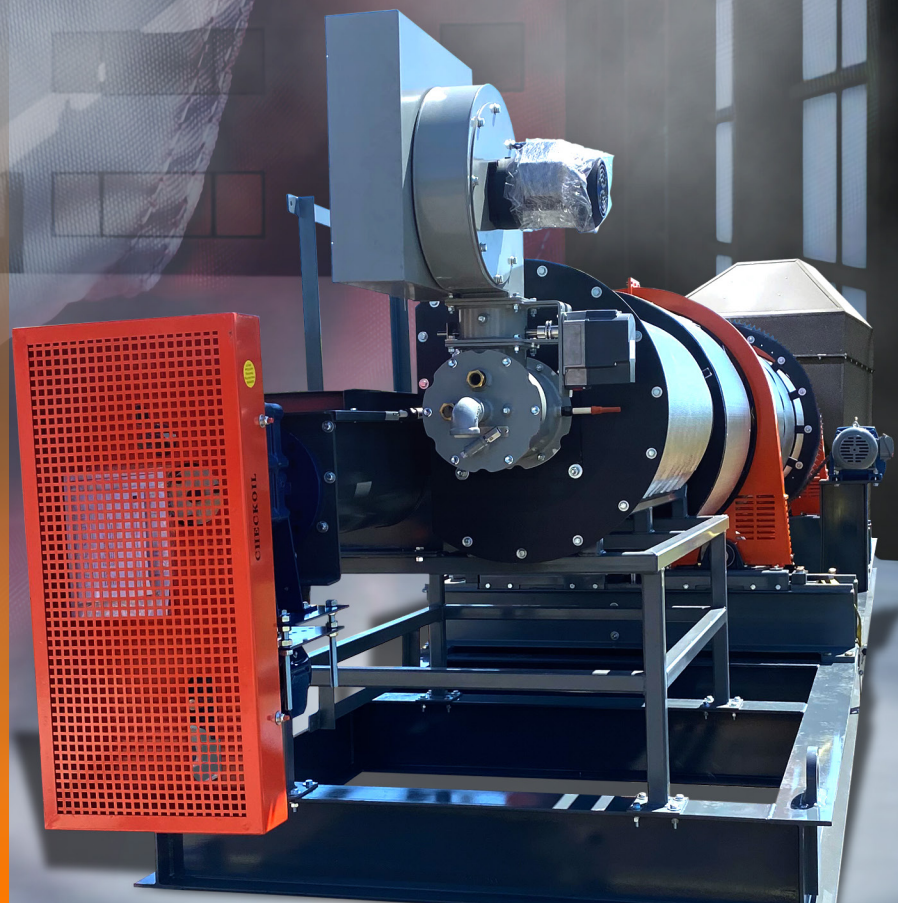
**XD-36 Mk.2 ROTARY DRUM DRYER**

**Designed to last. Built like a tank.  
Our XD-36 Mk.2 will be your most  
valued equipment investment.**

**Simple. Efficient. Effective. Dependable.  
Bulk Dehydration at it's finest...  
it just doesn't get any better.**

As with all our products engineered and manufactured by Midwest Custom Solutions, the XD-36 Mk.2 Rotary Drum Dryer is expressly built in the premise of providing you with the most efficient, durable, dependable, rugged piece of industrial dehydration equipment for your investment dollars. We know you have high expectations of your operating assets - at MCS, we strive to meet and exceed those expectations on a daily basis.

With this lofty goal in mind, we've selected only the highest quality materials for our XD Series of Dryers. Our highly skilled fabrication technicians have years of experience in their craft and know how to do things "the right way." You can see their craftsmanship in each and every piece of equipment which leaves the MCS manufacturing facilities.



**"MADE IN AMERICA" REAWAKENED  
FORGED IN THE CRUCIBLE OF LIBERTY  
POWERED BY THE FUEL OF FREEDOM**

# MOISTURE REMOVED IS PROFIT GAINED.

We've selected only the highest-quality components for our XD Series Dryers including industry-leading bearings, idler roller wheels and power mechanism for the trommel drive assembly.

All flights within the trommel are precision engineered, laser cut, artfully machined and skillfully installed to ensure effective material movement and efficient product drying in addition to providing long-lasting wear surfaces.

Burner assemblies for our XD Series Dryers are stainless steel in construction and selected for their high-efficiency operation and extreme durability providing countless hours of safe, worry-free service in your processing operations.

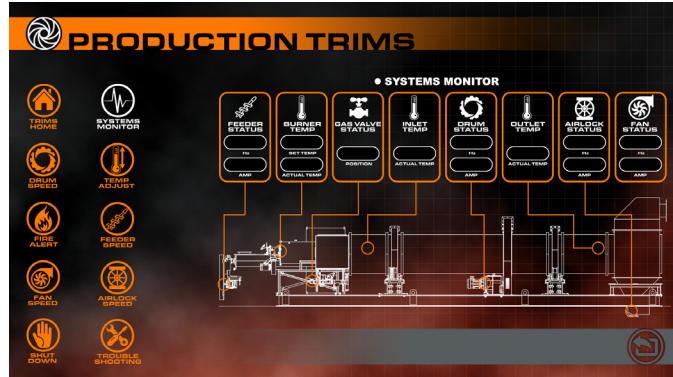
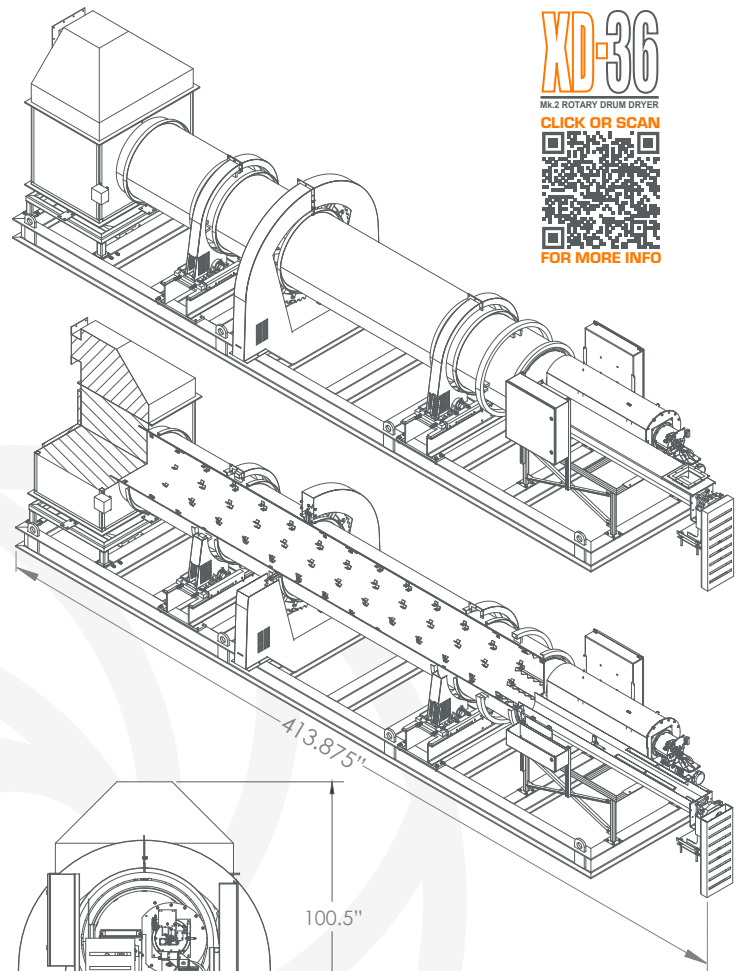
Fuel sources for the XD-36 Mk.2 may be customized to your unique operational and processing requirements. Be sure to speak with our sales and technical support staff regarding your fuel of choice or one which is most appropriate and suitable for your product.

**XD-36**  
Mk.2 ROTARY DRUM DRYER

CLICK OR SCAN



FOR MORE INFO



We've strategically incorporated lifting lugs and pick-points into the XD Series design for easy, quick and worry free movement and lifting - something few consider until several thousand pounds of steel are hanging in the air from the boom of a crane.

Trommel drive mechanism and pinch-point guards, burner heat shields and warning placards are mindfully placed with personal protection in mind since your operator's safety will always remain our top priority at Midwest Custom Solutions.

As with all of the products manufactured at Midwest Custom Solutions, our XD Series Dryers are finely finished with high-quality, industry-leading paints, coatings and sealing products.

We diligently strive to build value into every facet of our products, ensuring all of our equipment provides the longest-lasting, greatest value for your investment dollars.

