



**PARTICLE SEPARATION
AT ITS VERY FINEST.**

HE Series

CYCLONES

Although there are no actual moving parts in the HE Series Cyclones from Midwest Custom Solutions, we remain steadfast in providing the same attention to detail and quality for each one that leaves our facilities as those products which are far more complex in design and operation.

As with all of our products, we've designed and engineered our HE Series Cyclones with same strength, durability, efficiency and longevity you've come to expect from each and every product manufactured by MCS. We build your equipment as though it were being installed and used in our own facilities.

With this lofty goal in mind, we've selected only the highest quality materials for our HE Series of Cyclones. Our highly skilled fabrication technicians have years of experience in their craft and know how to do things "the right way." You can see their craftsmanship in each and every piece of equipment which leaves the MCS facilities.



"MADE IN AMERICA" REAWAKENED
FORGED IN THE CRUCIBLE OF LIBERTY
POWERED BY THE FUEL OF FREEDOM

PARTICLE SEPARATION AT ITS VERY FINEST.

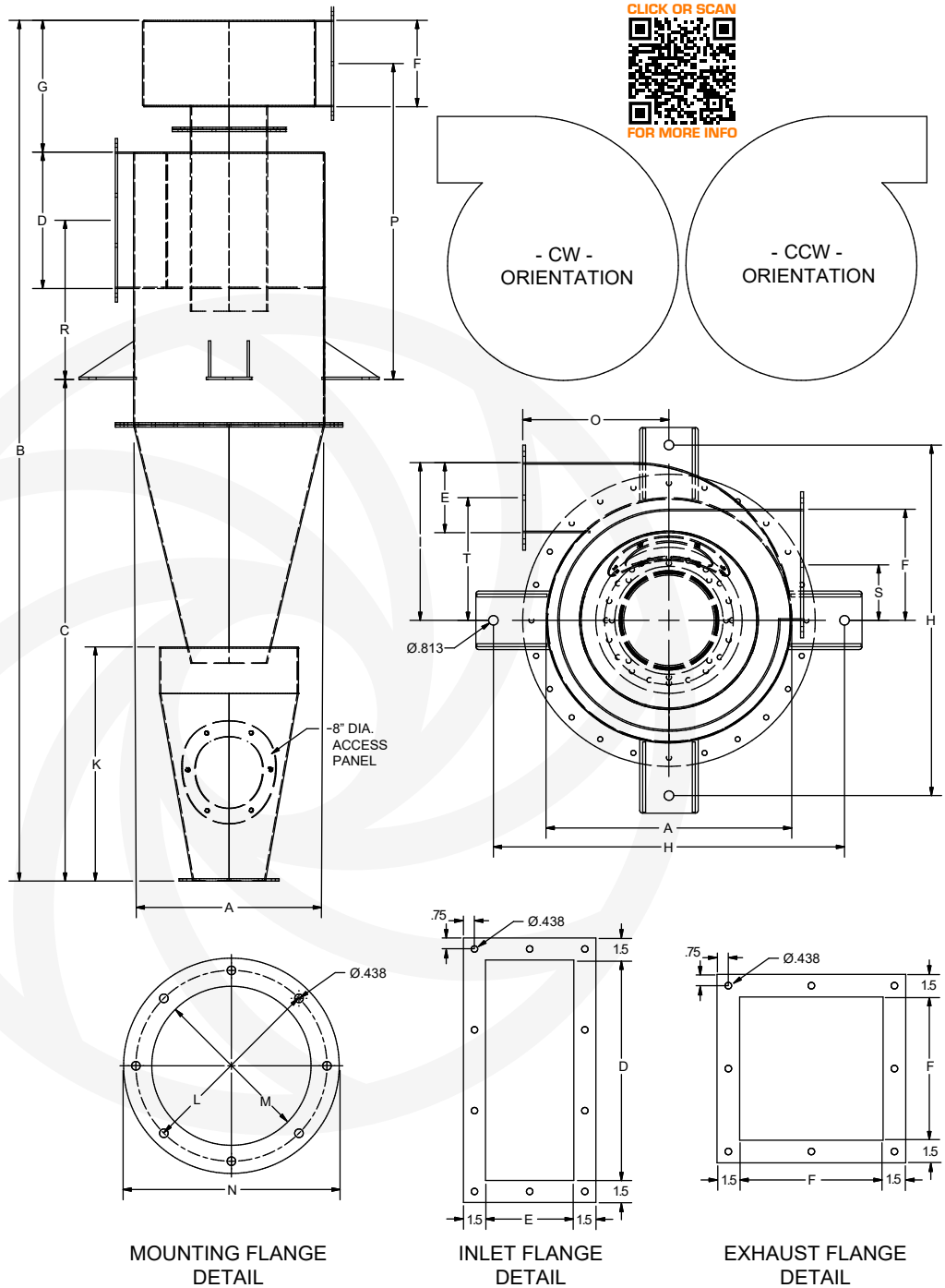
All frame and support structures are built for rugged, continuous, and thorough material processing. Structural framing and cross-supports are all thoughtfully and strategically engineered with ease of access, safety and durability in mind.

Cyclone processing air rotation may be specified by our clients in a clockwise or counterclockwise direction. Inlet and outlet ducting will be manufactured to direct airflow as required to suit your unique operational needs. We also provide for a materials selection with specific Cyclone applications or installations in mind, whether is be in the food, mineral, chemical or agricultural processing industries.

Access Panels for clean-out and interior inspection of expansion chambers come standard in all of the HE Cyclones from Midwest Custom Solutions. Mounting brackets and foot pads are meticulously installed by our technicians who know the importance of proper equipment installation on your site.

All rounded components are precision rolled and continuously welded. Only high-quality fasteners are used in assembly to ensure durability, withstand vibration and provide longevity of use in the field.

As with all of the products manufactured at Midwest Custom Solutions, our HE Series Cyclones are finely finished with high-quality, industry-leading paints, coatings and sealing products. We diligently strive to build value into every facet of our products, ensuring all of our equipment provides the longest-lasting, greatest value for your investment dollars.



SERIES	VOLUME/CFM			WEIGHT (in lbs.)	DIMENSIONS (in inches)																		
	MIN	OPT	MAX		A	B	C	D	E	F	G	H	I	J	K	L	M	N	O	P	R	S	T
HE-21	2,150	2,325	2,500	~325	21	94.69	55.19	15	6	9.5	14.5	30	13.5	19	25.75	9.5	8	11	12.5	34.75	17.5	4.75	10.5
HE-24	2,525	2,875	3,250	~425	24	108.56	61.81	18	6.5	10.75	15.75	33	15.38	21.5	25.75	9.5	8	11	14	41.38	22	5.38	12.13
HE-27	3,275	3,650	4,025	~550	27	120.5	68.5	20	7.25	12	17	36	17.13	24	37.63	11.75	10	13	15.5	46	25	6	13.5
HE-30	4,050	4,475	4,900	~625	30	132.38	75.13	22	8	13.25	18.25	39	19	26.5	37.63	11.75	10	13	17	50.63	28	6.63	15
HE-33	4,925	5,525	6,150	~750	33	144.69	81.69	24	9.25	15	20	42	20.63	30	37.63	11.75	10	13	18.5	55.5	31	7.5	16
HE-36	6,175	6,875	7,600	~850	36	153.63	86.13	25.5	10.75	16.50	21.5	45	23.38	33	37.63	11.75	10	13	20	59.25	33.25	8.25	18
HE-39	7,625	8,225	8,800	~1,025	39	174.19	102.44	27	11.75	17.75	22.75	48	25.38	35.5	49.44	11.75	10	13	21.5	62.88	35.5	8.88	19.5
HE-43	8,825	9,800	10,800	~1,200	43	188.75	109	30	13	19.75	24.75	52	27.75	39.5	49.44	11.75	10	13	23.5	69.88	40	9.88	21.25
HE-47	10,825	11,700	12,600	~1,400	47	202.94	115.69	33	13.75	21.25	26.25	56	30.38	42.5	49.44	11.75	10	13	25.5	76.63	44.5	10.63	23.5



Phone: 316.282.9999
 Email: sales@midwestcustomsolutions.com
 Web: www.midwestcustomsolutions.com
 REV. 0.1 02012022



"MADE IN AMERICA" REAWAKENED
 FORGED IN THE CRUCIBLE OF LIBERTY
 POWERED BY THE FUEL OF FREEDOM